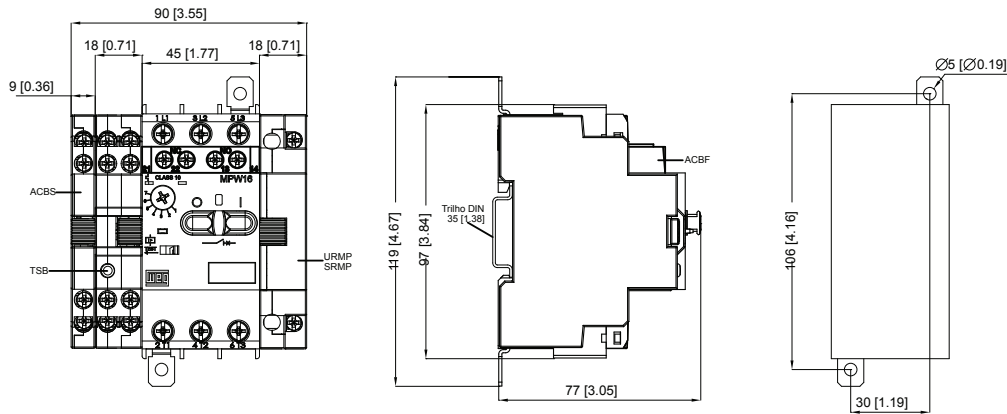


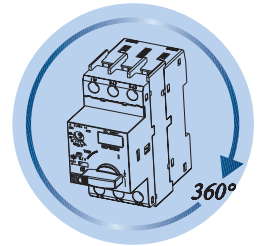


Controls Manual Motor Protectors - Dimensions mm (in)

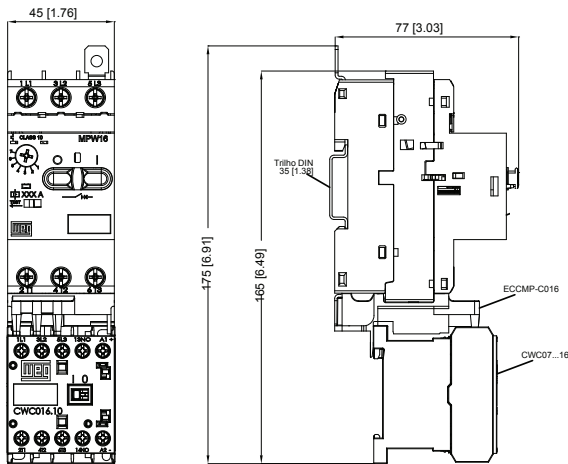
MPW16 + Accessories



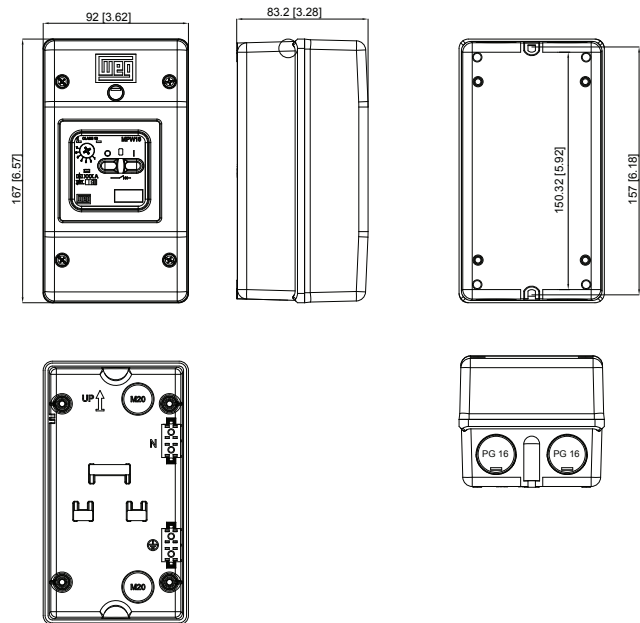
Mounting Position



MPW16 + CWC07...16



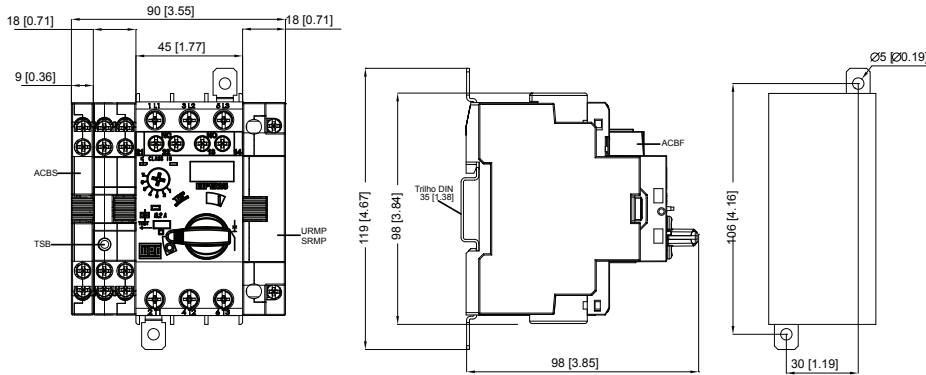
Insulated Enclosure - PE66 (IP66)



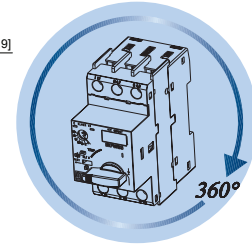
Controls

Manual Motor Protectors - Dimensions mm (in)

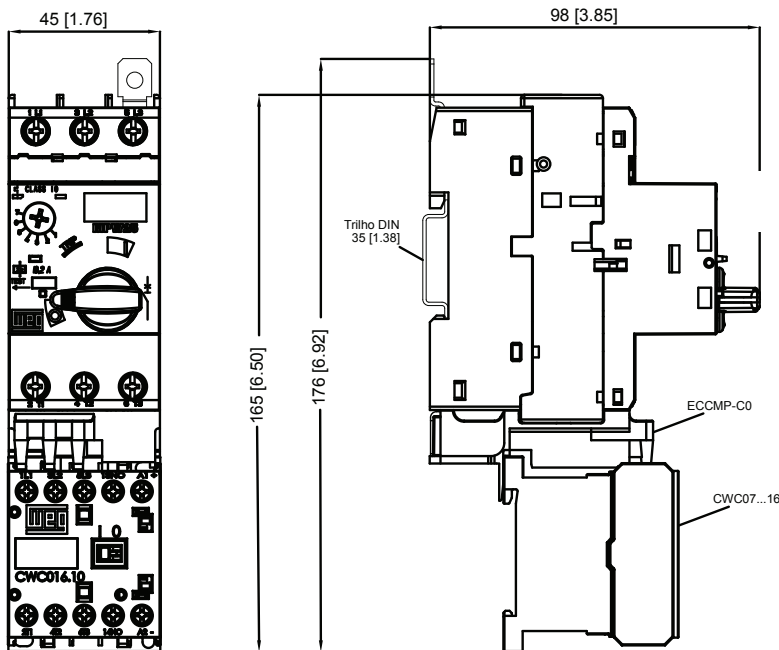
MPW25 + Accessories



Mounting Position



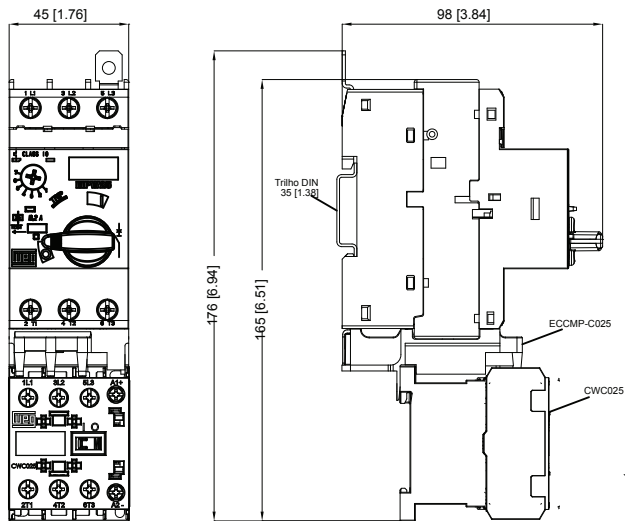
MPW25 + CWC07...16



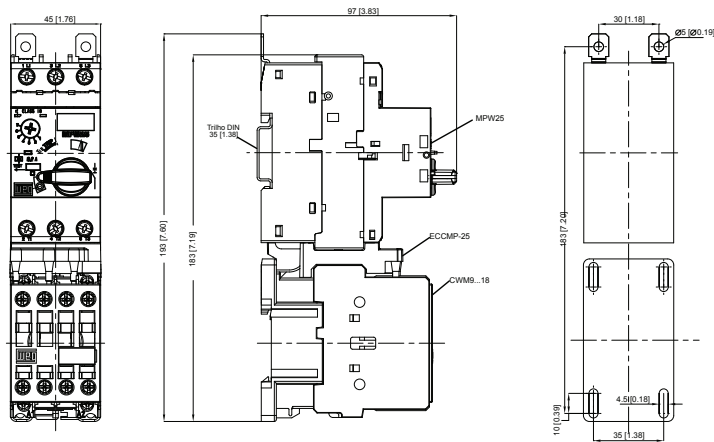


Controls Manual Motor Protectors - Dimensions mm (in)

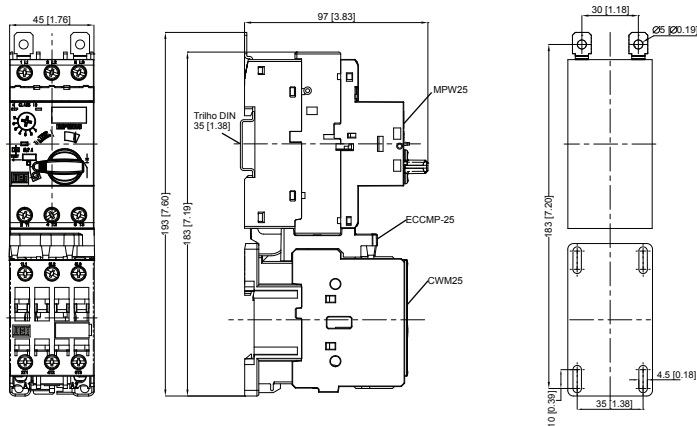
MPW25 + CWC025



MPW25 + CWM9...18



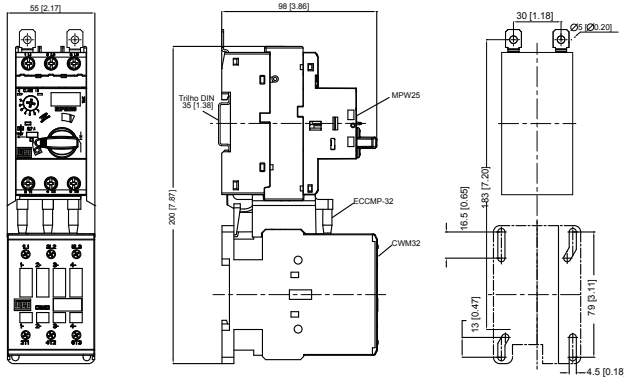
MPW25 + CWM25



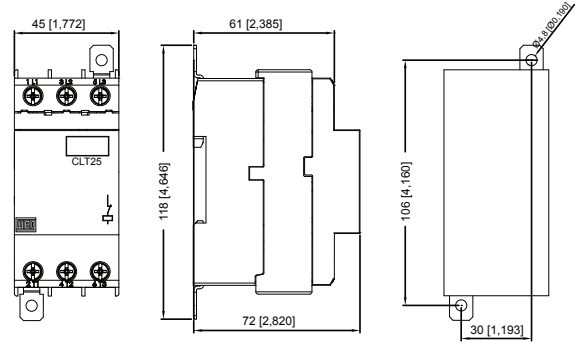
Controls

Manual Motor Protectors - Dimensions mm (in)

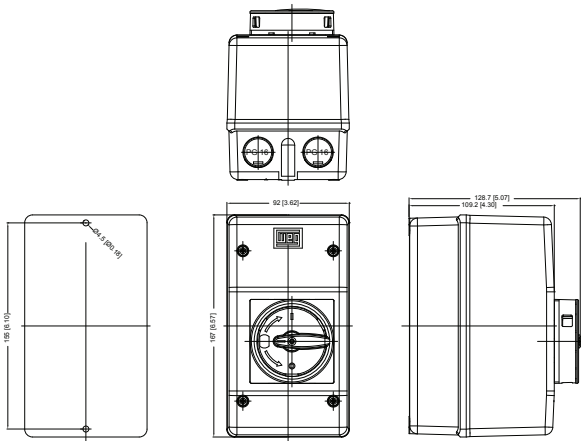
MPW25 + CWM32



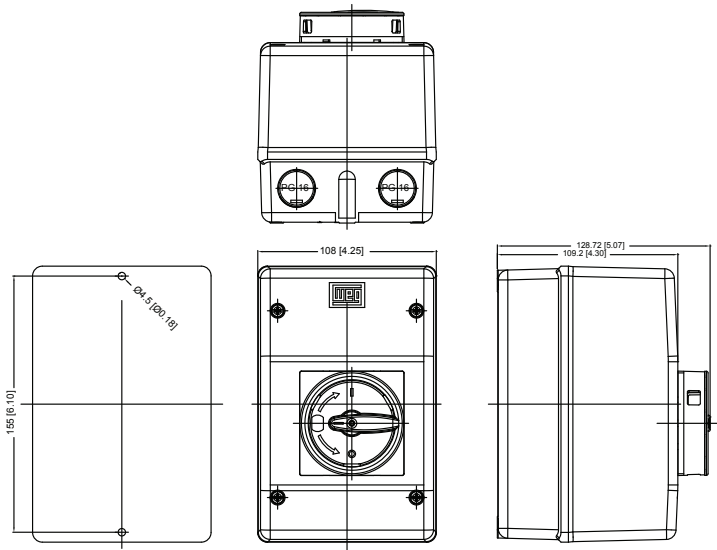
Current limiter - CLT25



Insulated Enclosure - PE55 (IP55)



Insulated Enclosure - LPE55 (IP55)

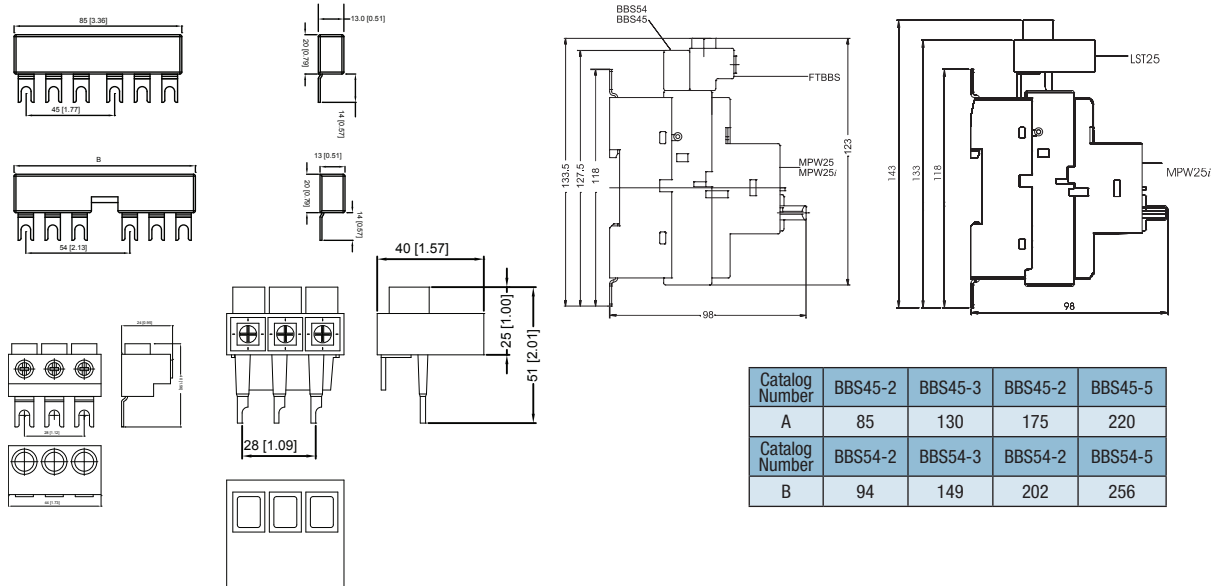




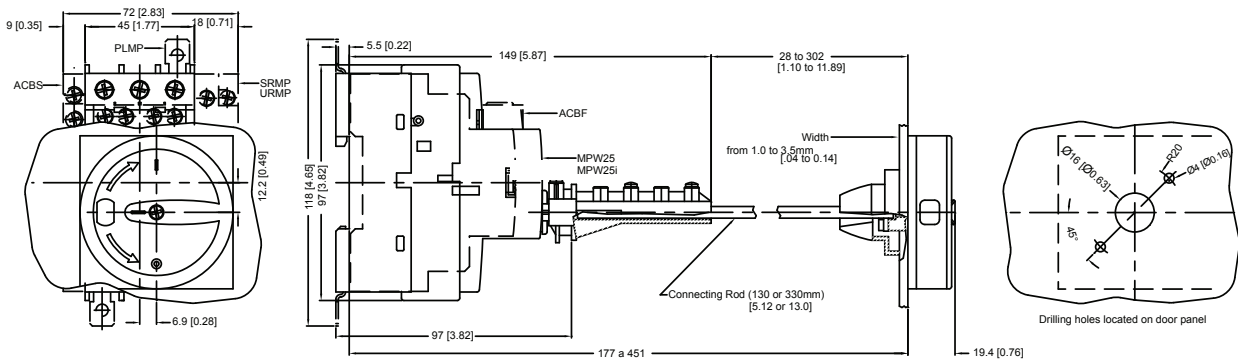
Controls

Manual Motor Protectors - Dimensions mm (in)

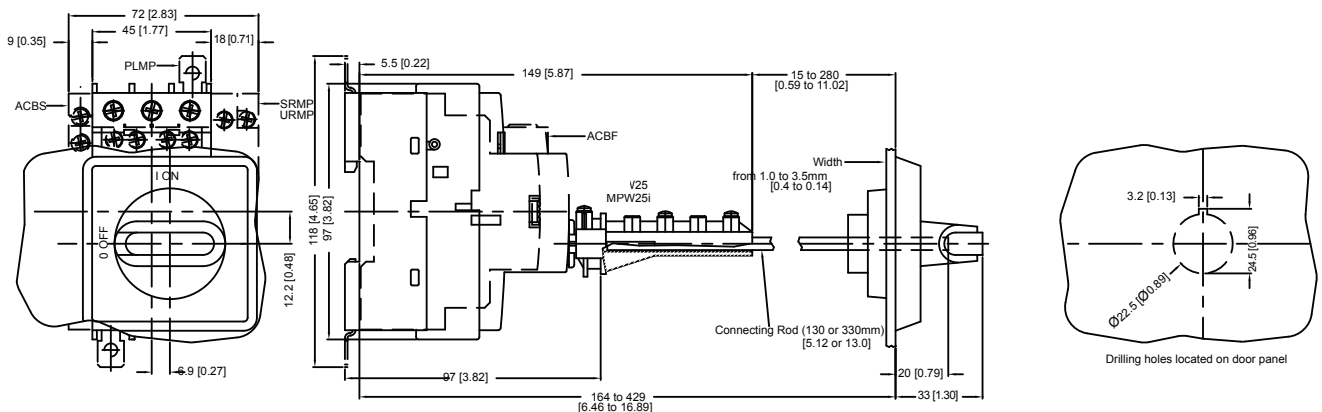
Accessories: BBS45, BBS54, FTBBS, LST25



Through the Door Rotary Handle - RMMP



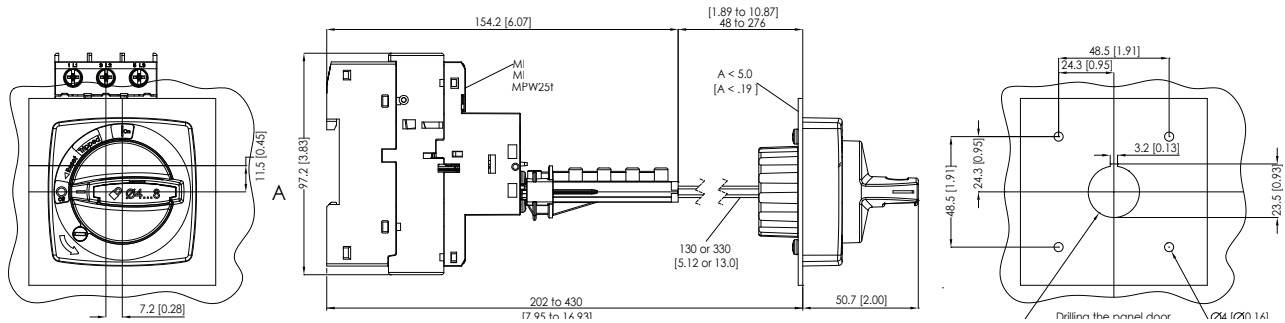
Through the Door Rotary Handle - MR MPW25



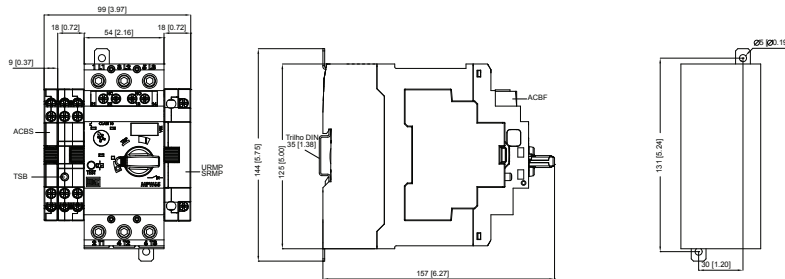
Controls

Manual Motor Protectors - Dimensions mm (in)

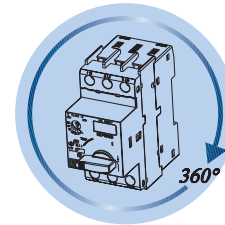
Through the Door Rotary Handle - MRX



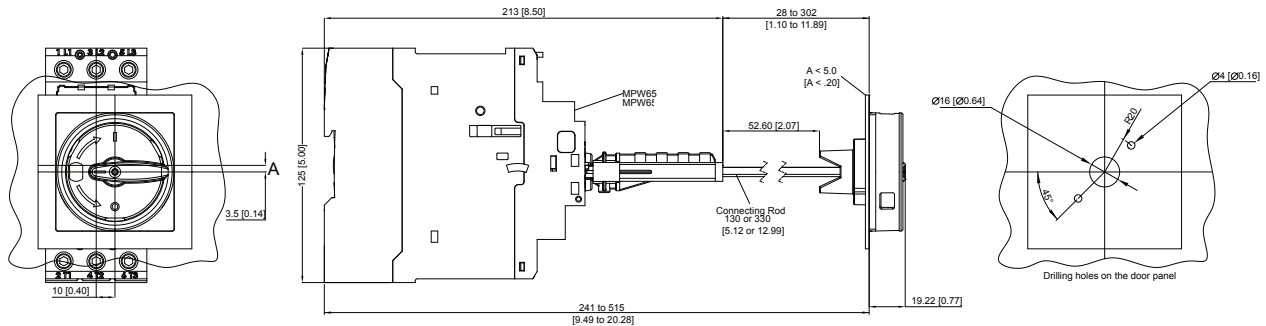
MPW65 + Accessories



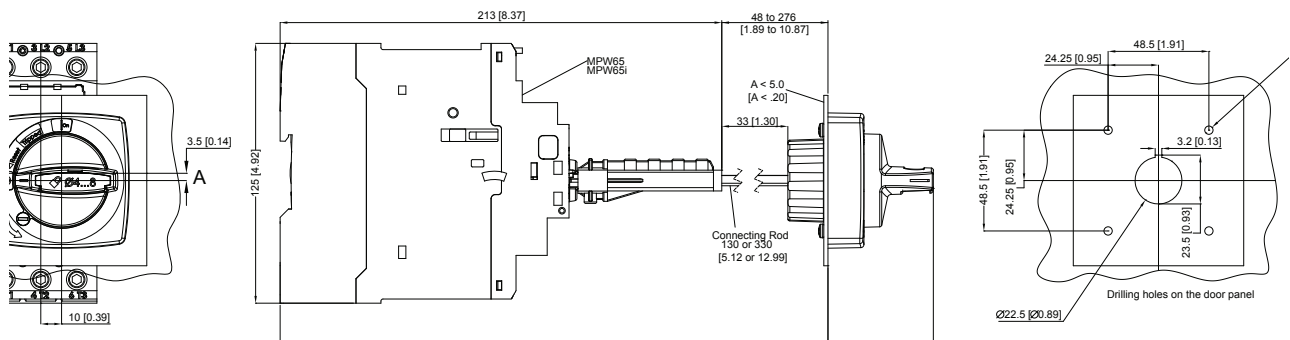
Mounting Position



Through the Door Rotary Handle - RMMP65



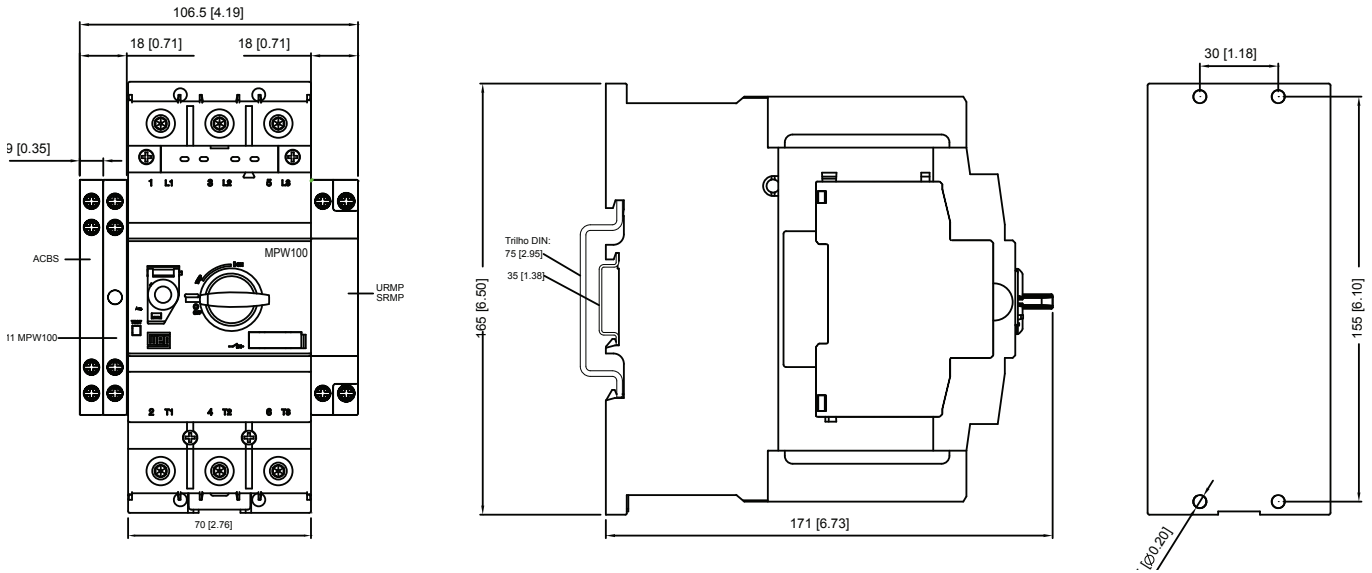
Through the Door Rotary Handle - MRX65



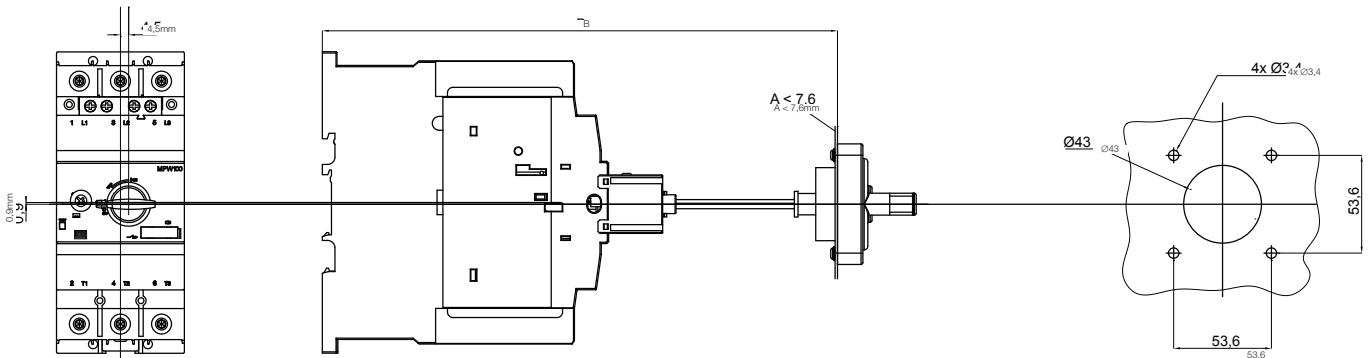
Controls

Manual Motor Protectors - Dimensions mm (in)

MPW100



Through the Door Coupling Rotary Handle - MR MPW100



Drilling the panel door

Reference Code	B (mm)
MR MPW100-115	min: 220 max: 282
MR MPW100-315	min: 220 max: 482

Mounting position

